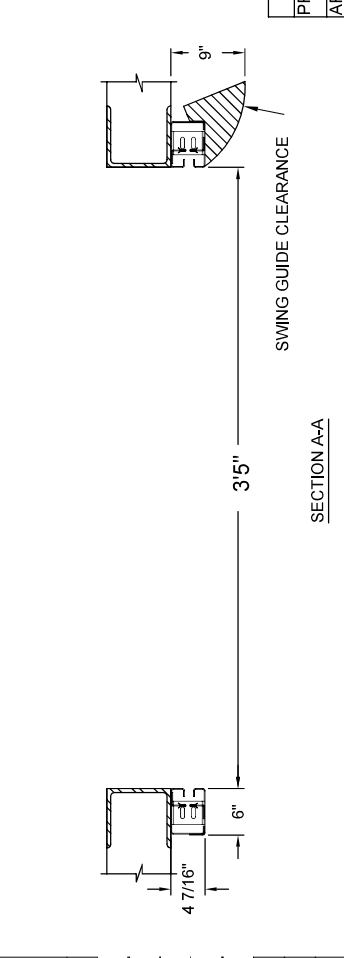
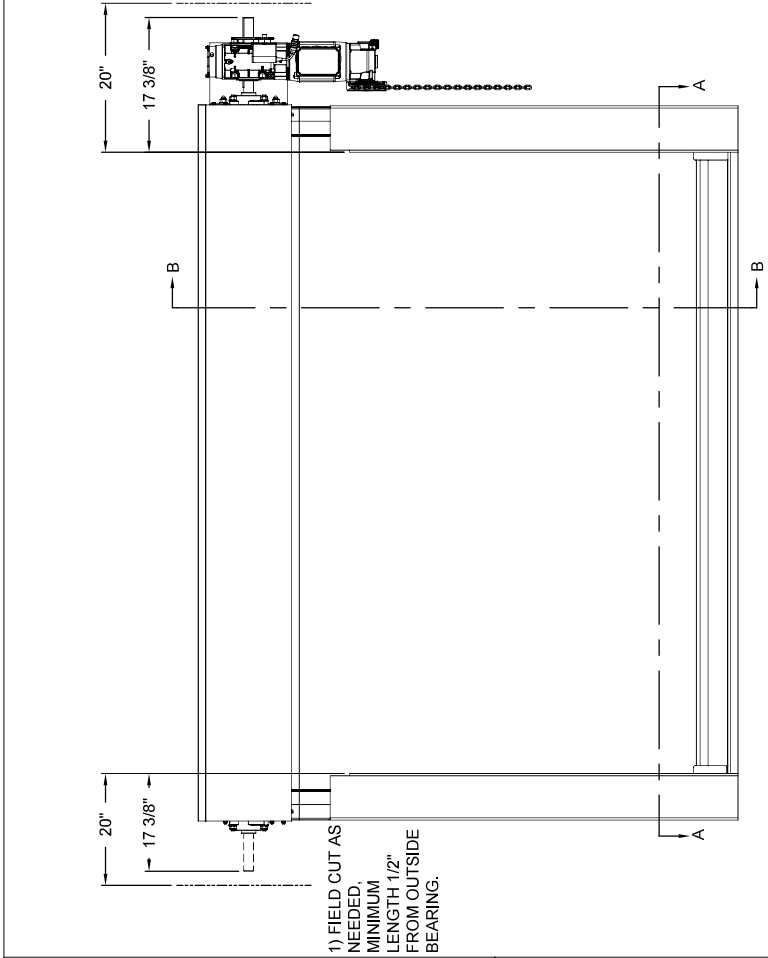


COLOR / FINISH OPTIONS	
GUIDES	SAFETY YELLOW
BOTTOM BAR	SAFETY YELLOW (STANDARD)
HEADPLATES	BLACK (STANDARD)
HOOD	BLACK (STANDARD)
CURTAIN	BLUE
MOTOR	
VOLTS	230V 3-PHASE (208-245V RANGE)
HERTZ	



**RAPIDFLEX®**

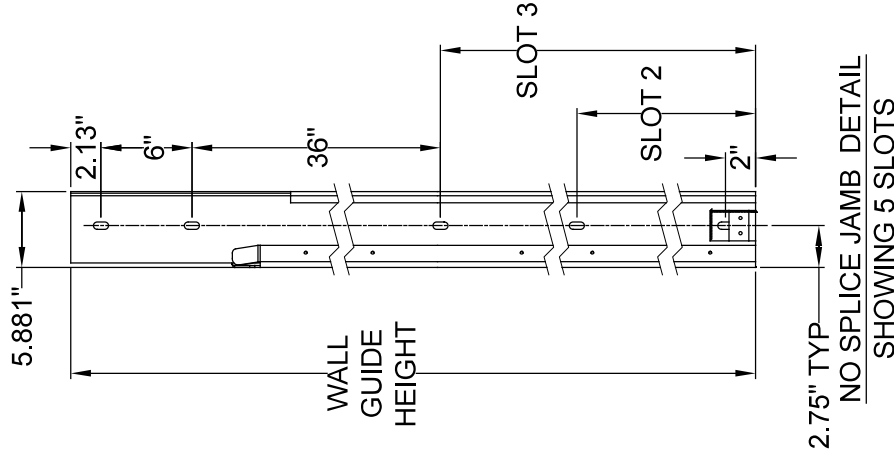
PROJECT	991 INTERIOR HIGH SPEED FABRIC DOOR
ARCHITECT	Corveva
CONTRACTOR	N/A
DISTRIBUTOR	ODC Des Moines
PLANT	PENNSYLVANIA
DIST. DWG. NO.	DATE:
SQCNO01357-1	09/19/2022
SHEET	BY: CEK
	1 of 1

NOTES:	
1.	WINDLOAD 7.5 P.S.F ULTIMATE @ 10' WIDE
2.	Interior/Interior

DOOR MARK	QTY	OPENING SIZE	OPERATION	COMPONENT	MATERIAL
Line 1	Width	Height	MOTOR RH		
	1	3'5"	4'0"	HOOD	22GA. STEEL
				CURTAIN	2 LAYER PVC COATED POLYESTER WITH 1 LAYER POLYESTER WEAVE
				GUIDES	HIGH STRENGTH STEEL
				BOTTOM BAR	EXTRUDED ALUMINUM



991 WALL GUIDE NO SPLICE										
BUILD HEIGHT (FT)	BUILD HEIGHT (IN)	WALL GUIDE HEIGHT (IN)	NUMBER OF SLOTS	SLOT 1	SLOT 2	SLOT 3	SLOT 4	SLOT 5	SLOT 6	SLOT 7
5	60	80	4	2.000	36.938	71.875	77.875			
5.5	66	86	5	2.000	21.938	41.875	77.875	83.875		
6	72	92	5	2.000	24.938	47.875	83.875	89.875		
6.5	78	98	5	2.000	27.938	53.875	89.875	95.875		
7	84	104	5	2.000	30.938	59.875	95.875	101.875		
7.5	90	110	5	2.000	33.938	65.875	101.875	107.875		
8	96	116	5	2.000	36.938	71.875	107.875	113.875		
8.5	102	122	6	2.000	21.938	41.875	77.875	113.875	119.875	
9	108	128	6	2.000	24.938	47.875	83.875	119.875	125.875	
9.5	114	134	6	2.000	27.938	53.875	89.875	125.875	131.875	
10	120	140	6	2.000	30.938	59.875	95.875	131.875	137.875	
10.5	126	146	6	2.000	33.938	65.875	101.875	137.875	143.875	
11	132	152	6	2.000	36.938	71.875	107.875	143.875	149.875	
11.5	138	158	7	2.000	21.938	41.875	77.875	113.875	149.875	155.875
12	144	164	7	2.000	24.938	47.875	83.875	119.875	155.875	161.875
12.5	150	170	7	2.000	27.938	53.875	89.875	125.875	161.875	167.875
13	156	176	7	2.000	30.938	59.875	95.875	131.875	167.875	173.875
13.5	162	182	7	2.000	33.938	65.875	101.875	137.875	173.875	179.875
14	168	188	7	2.000	36.938	71.875	107.875	143.875	179.875	185.875



**RAPIDFLEX®**

PROJECT	991 INTERIOR HIGH SPEED FABRIC DOOR
ARCHITECT	
CONTRACTOR	
DISTRIBUTOR	
PLANT	

DIST. DWG. NO.	DATE:
SHEET	BY:
2 OF 2	

